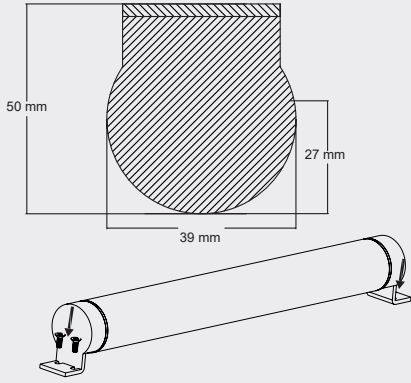


MOVABLE LINEAR PROFILE STANDART

Product and Technical Details

MARKALED
LIGHTING FOR JEWELRY



TECHNICAL DATA

Information

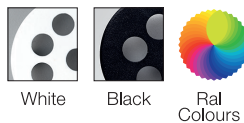
Body:	Aluminium body
Dimensions:	W: 39 mm x H: 50 mm
Length:	Any length desired
LED:	CREE-USA
Warranty:	5 years
Total Power of Luminaire (watt):	35
Luminous Flux of Luminaire/Lumen (lm):	4690
Color Rendering Index (CRI):	CRI >80-90
Control Options:	Chameleon, DALI, 1-10V
Weight per meter:	900 gr



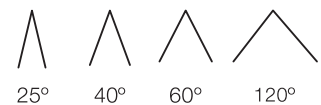
Color Temperature Options



Body Color Options



Beam Angle Options



MARKALED
LIGHTING FOR JEWELRY

P: +90 212 438 50 58
E: info@markaled.com
W: www.markaled.com

Head Office

Muratpasa Mah. Siteler Cad. No: 2-4-2
Bayrampasa / Istanbul / TURKIYE