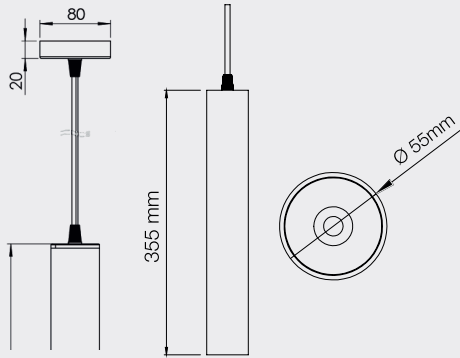


CASTOR55

Product and Technical Details

MARKALED
LIGHTING FOR JEWELRY



TECHNICAL DATA

Information

Body:	Aluminium body
Dimensions:	Ø 55 x 355 mm
LED:	CREE-USA
Warranty:	5 years
Total Power of Luminaire (watt):	14
Luminous Flux of Luminaire/Lumen (lm):	1883
Color Rendering Index (CRI):	CRI >80-90
Control Options:	DALI, 1-10V
Weight:	1560 gr
Box Size:	190 x 600 x 400 mm



Color Temperature Options



6500K 5000K 4000K 3000K

Body Color Options



White



Black



Chrome



Gold



Ral Colours

Beam Angle Options



10° 25° 40°

MARKALED
LIGHTING FOR JEWELRY

P: +90 212 438 50 58
E: info@markaled.com
W: www.markaled.com

Head Office
Muratpasa Mah. Siteler Cad. No: 2-4-2
Bayrampasa / Istanbul / TURKIYE